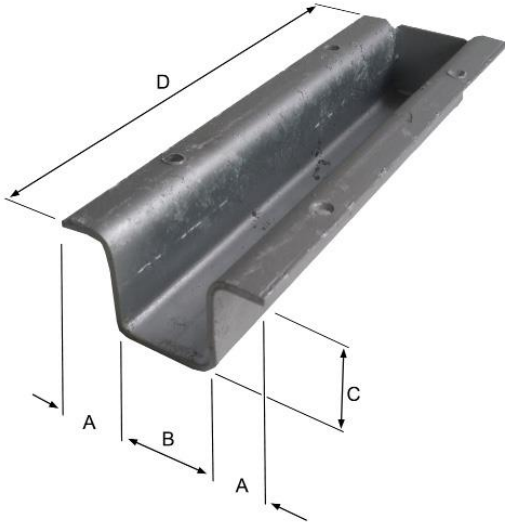


Cable Cover Made to order



1. Please complete details
2. email to enquiries@abindustries.com.au
3. OR Fax to 08 8281 7443

Specifications			Comments
Flange width	A	mm	
Internal width	B	mm	
Internal depth	C	mm	
Length	D	mm	
Material thickness	0.6mm <input type="checkbox"/>	1.6mm <input type="checkbox"/>	3.0mm <input type="checkbox"/>
Material type	Galvanized? <input type="checkbox"/>	Zincalume? <input type="checkbox"/>	
	Open ends? <input type="checkbox"/>	Closed? <input type="checkbox"/>	
Finish	Unpainted <input type="checkbox"/>	Paint <input type="checkbox"/>	Powdercoat <input type="checkbox"/>
Quantity <input type="text"/>			

Company Name _____

Order No. _____

Contact Name _____

Phone _____

Fax _____

Email _____